



Accessory Organizer

Free Plans to build an Accessory Organizer.



Materials and Tools

MATERIALS:

- 1-1/4" brad nails
- Edge banding, optional
- 6 small drawer pulls
- Wood glue
- Sandpaper (100, 150, 220 grits)
- Finishing supplies (primer & paint, or stain, sealer)

Lumber:

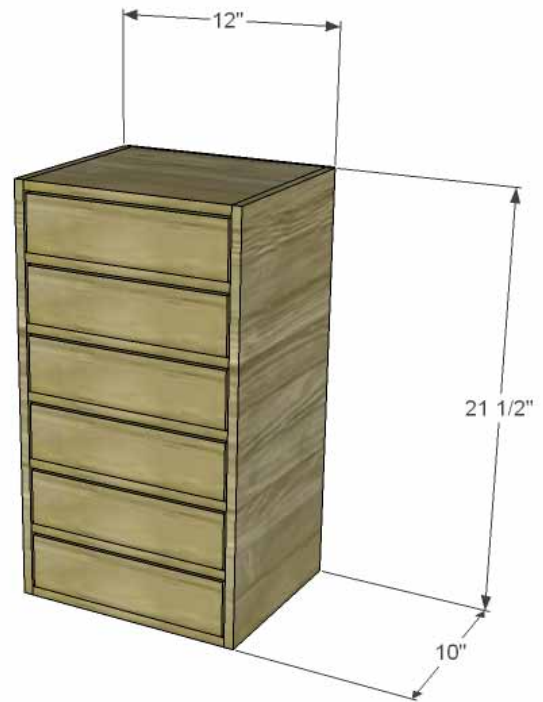
- 1 - 4' x 4' x 1/2" PureBond plywood project panel
- 1 - 2' x 4' x 1/4" PureBond plywood project panel (Walnut was used for the example)

Tools:

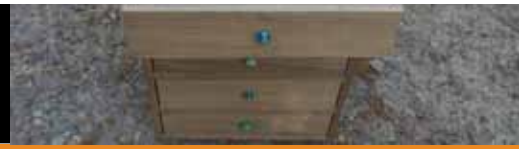
- Jigsaw, table saw, miter saw, or hand saw
- Brad nailer
- Drill
- Pencil, ruler, square
- Tape measure
- Sander
- Iron for edge banding
- Edge banding trimmer or craft knife

Cut List:

- 2 - 1/2" PureBond Plywood project panel at 10" x 21-1/2" - Sides
- 7 - 1/2" PureBond Plywood project panel at 10" x 11" - Shelves
- 1 - 1/4" PureBond Plywood project panel at 11-3/4" x 21-1/4" - Back
- 6 - 1/2" PureBond Plywood project panel at 9" x 9-3/4" - Drawer Bottoms
- 12 - 1/2" PureBond Plywood project panel at 2-7/8" x 9" - Drawer Box Sides
- 12 - 1/2" PureBond Plywood project panel at 2-7/8" x 10-3/4" - Drawer Box Front & Back



FEATURING
 PureBond.
FORMALDEHYDE-FREE TECHNOLOGY



STEP 1

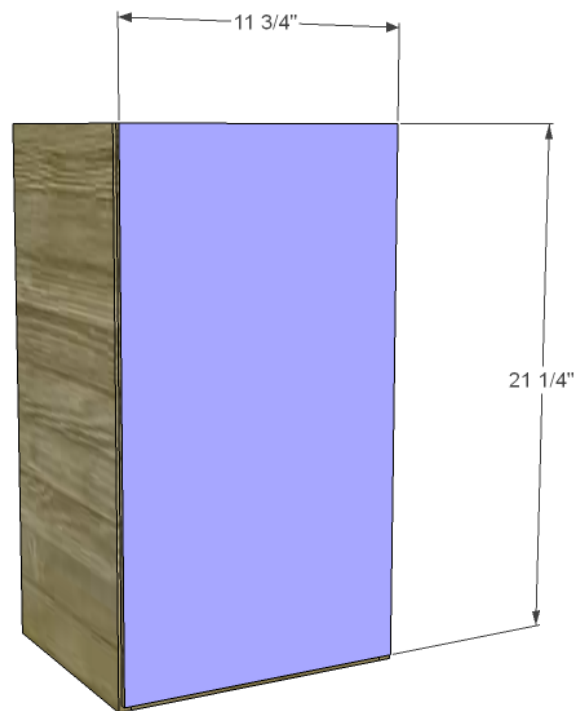
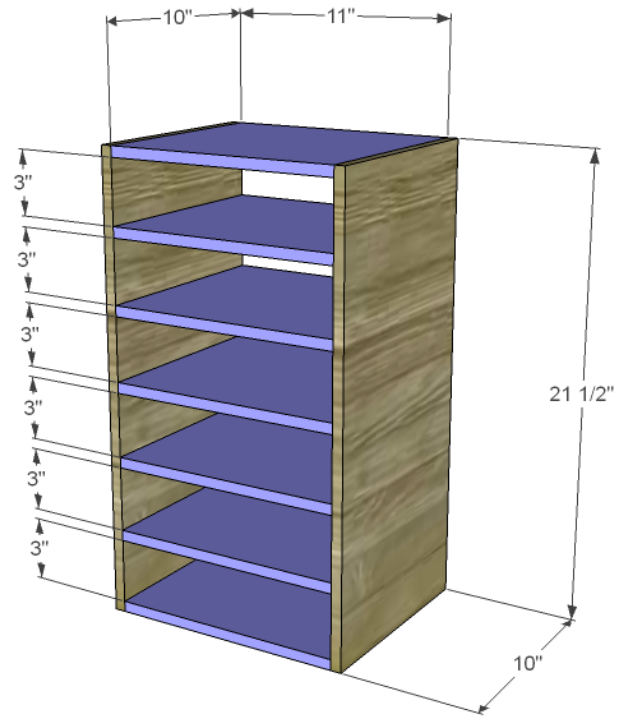
Notes:

Edge banding will be applied to the exposed edges of the plywood prior to assembly.

Cut the pieces for the sides and shelves. Draw lines on the sides marking the position of the shelves. Secure the shelves to one side first, using glue and 1-1/4" brad nails. Then secure the shelves to the other side.

STEP 2

Cut the pieces for the back. Secure it to the back of the cabinet using glue and 1-1/4" brad nails.





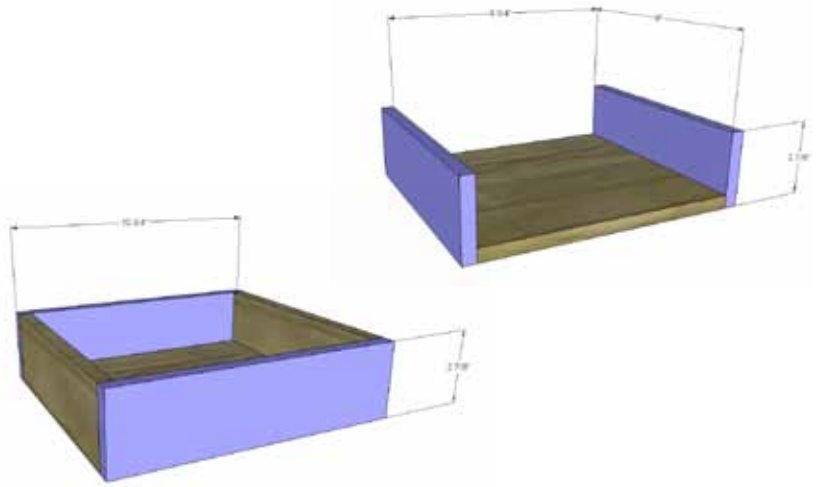
Accessory Organizer



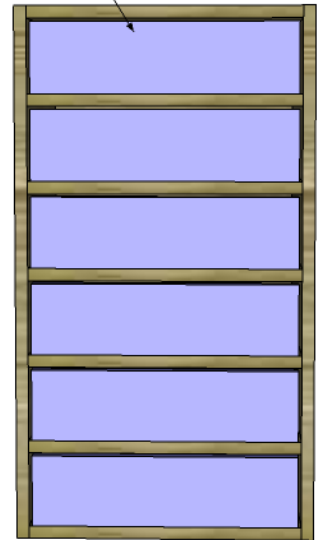
STEP 3

Cut the pieces for the drawers. Secure the sides to the bottom as shown using glue and 1-1/4" brad nails. Secure the front and back to the sides and bottom using glue and 1-1/4" brad nails. Install the drawer knobs in the center of each drawer front.

Finish as desired. Apply a coat of paste wax on the bottom of the drawers to help them to slide easily.



There will be a 1/8" gap at the top and sides of the drawers in the openings.



FEATURING

 PureBond[®]

FORMALDEHYDE-FREE TECHNOLOGY