



Modular Bar Wine Grid Hutch

Free Plans to build wine grid hutch

PureBond.
FORMALDEHYDE-FREE TECHNOLOGY

Materials and Tools:

MATERIALS:

- Approximately 1/2 sheet of 3/4" plywood ripped into strips 1 1/2" wide, referred to as 1x12 boards. Since you will most likely be building the base, you may be able to share plywood with the base.
- 1 - sheet 1/4" PureBond plywood
- 2 - 2x2 @ 8 feet long
- 1 - 1x3 @ 2 feet long
- 1 - 1x2 @ 8 feet long
- 1 1/4" finish nails
- 1 1/4" pocket hole screws
- Wood Glue
- Wood Filler
- 120 Grit Sandpaper

Tools:

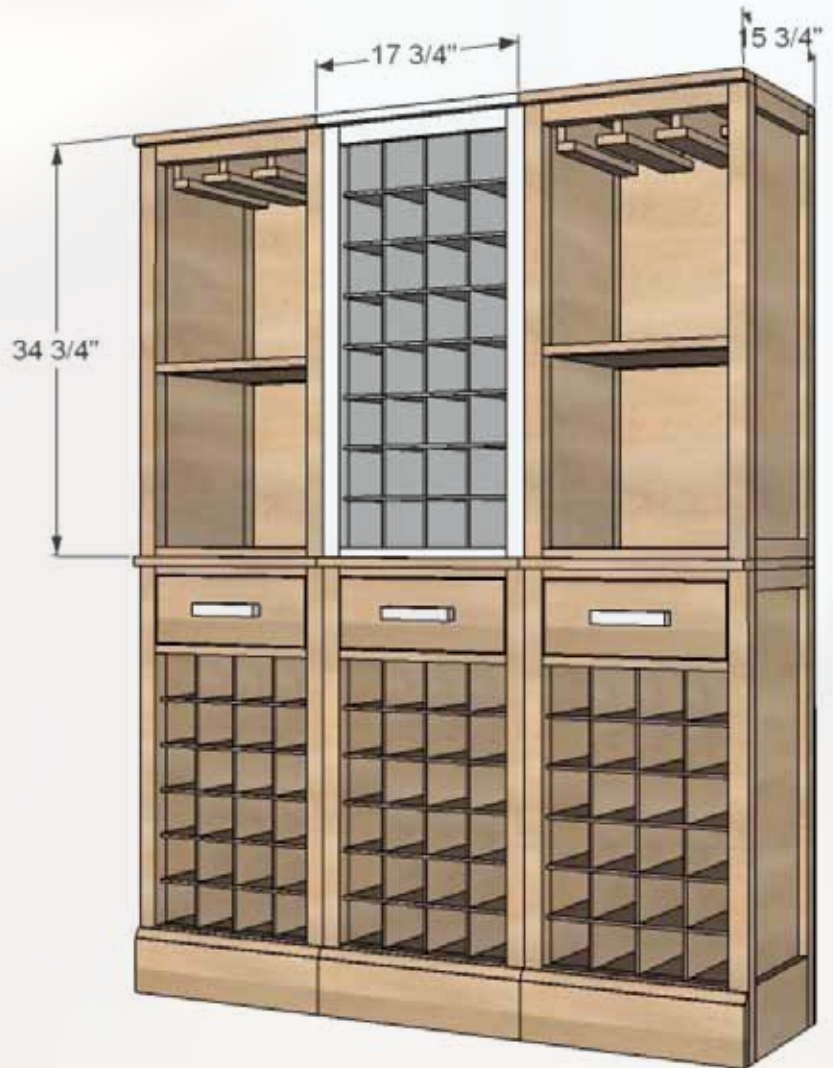
- Measuring Tape
- Square
- Pencil
- Safety Glasses
- Hearing Protection
- Kreg Jig™
- Drill
- Nailers
- Sander

Cut List:

- 2 - 1x12 @ 34" (sides)
- 4 - 1x2 @ 11 1/2" (trim)
- 4 - 2x2 @ 34" (legs)
- 1 - 1x12 @ 14 3/4" (shelf)
- 3 - 1x2 @ 14 3/4" (shelf trim and top support)
- 1 - 1x12 @ 17 3/4" (top)
- 1 - 1x2 @ 17 3/4" (top trim)
- 1 - 1x3 @ 17 3/4" (top front trim)
- 3 - 1/4" PureBond plywood @ 13 3/4" x 33 1/4"
- 7 - 1/4" PureBond plywood @ 13 3/4" x 14 3/4"
- 1 - 1/4" PureBond plywood @ 17 3/4" x 34 3/4"

General Instructions:

Please read through the entire plan and all comments before beginning this project. It is also advisable to review the Getting Started Section. Take all necessary precautions to build safely and smartly. Work on a clean level surface, free of imperfections or debris. Always use straight boards. Check for square after each step. Always predrill holes before attaching with screws. Use glue with finish nails for a stronger hold. Wipe excess glue off bare wood for stained projects, as dried glue will not take stain. Be safe, have fun, and ask for help if you need it. Good luck!





Modular Bar Wine Grid Hutch

Free Plans to build wine grid hutch

PureBond.
FORMALDEHYDE-FREE TECHNOLOGY

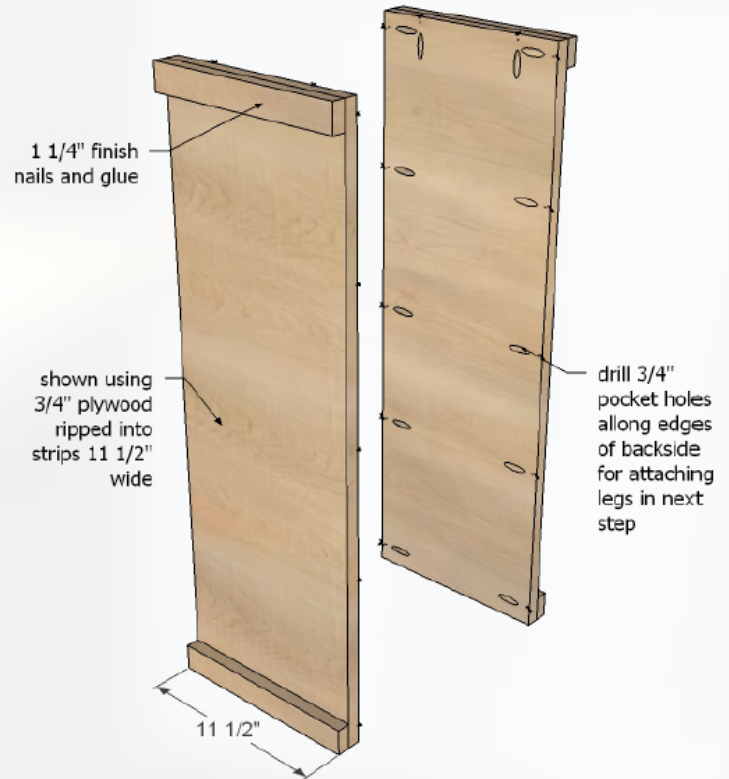
Step #1



This project is shown in PureBond Formaldehyde Free Hardwood Plywood. Gina's base is also built with PureBond. You can use 1x12s, but it will change the measurements slightly depending on your 1x12 widths. Make sure you measure the width of your 1x12s and adjust accordingly. This plan assumes you have ripped 3/4" plywood into strips 11 1/2" wide.

Drill 3/4" pocket holes along side and top edges for attaching top and legs in later steps of side 1x12s.

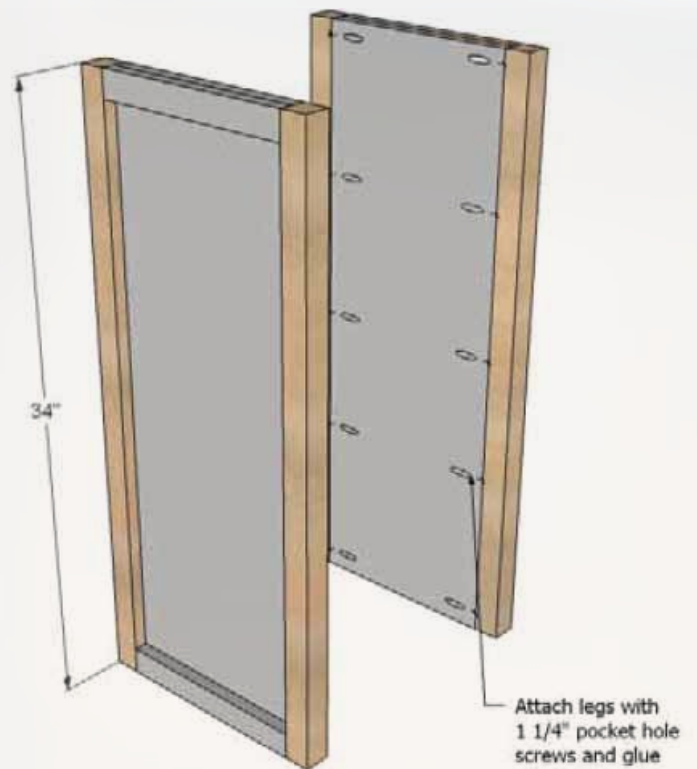
Then on the outsides, nail on 1x2 trim at top and bottom with 1 1/4" finish nails and glue, outside edges are flush.



Step #2



Next, build your bottom shelf with 3/4" pocket holes and attach to sides in the same manner, flush to the bottom.





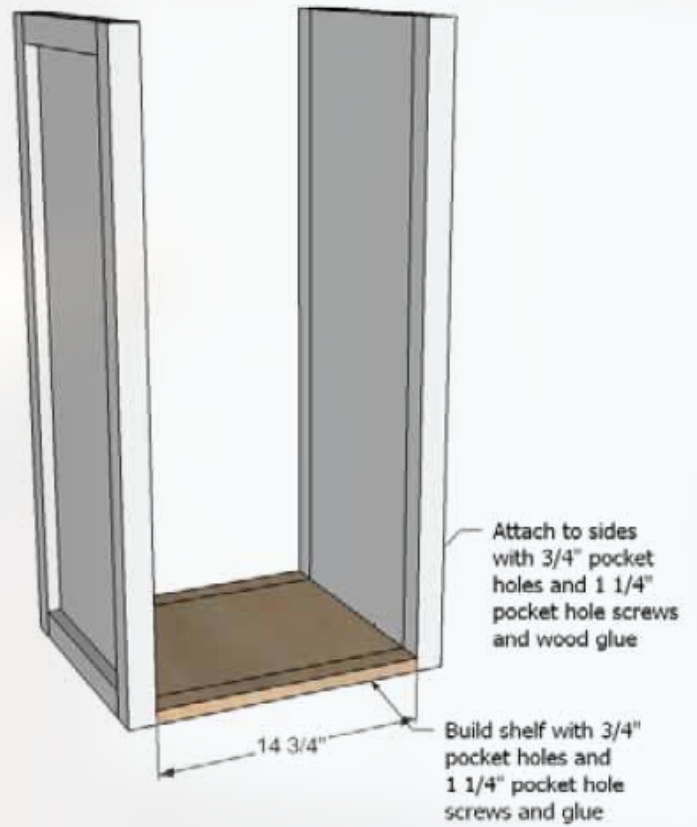
Modular Bar
Wine Grid Hutch
Free Plans to build wine grid hutch

PureBond.
FORMALDEHYDE-FREE TECHNOLOGY

Step #3



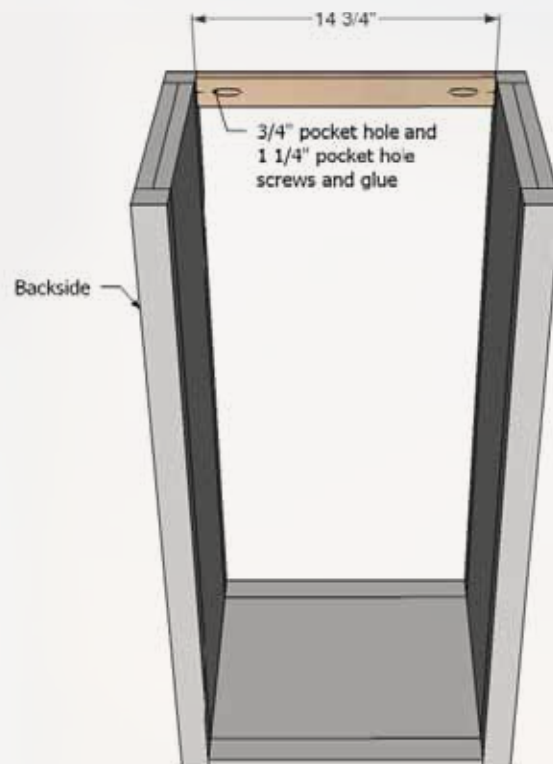
Next, build your bottom shelf with 3/4" pocket holes and attach to sides in the same manner, flush to the bottom.



Step #4



For the header, attach flush to front as shown in diagram.





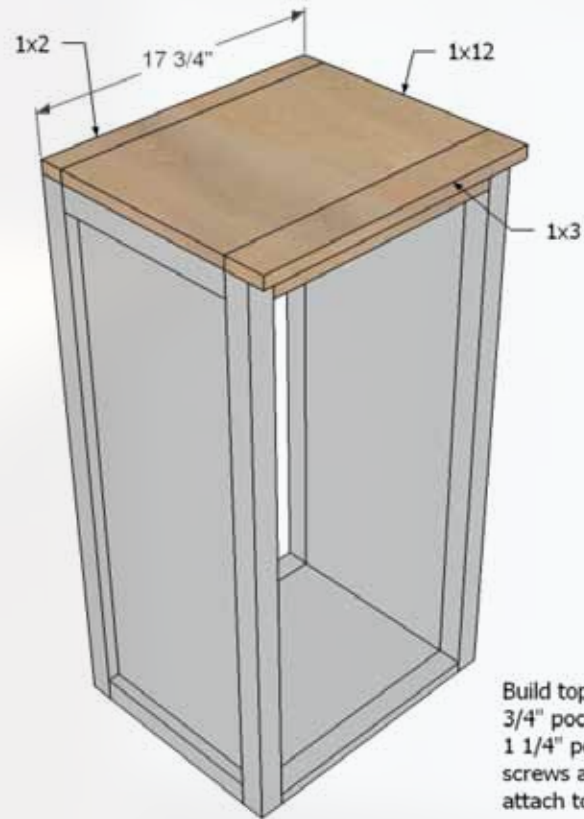
Modular Bar
Wine Grid Hutch
Free Plans to build wine grid hutch

PureBond
FORMALDEHYDE-FREE TECHNOLOGY

Step #5



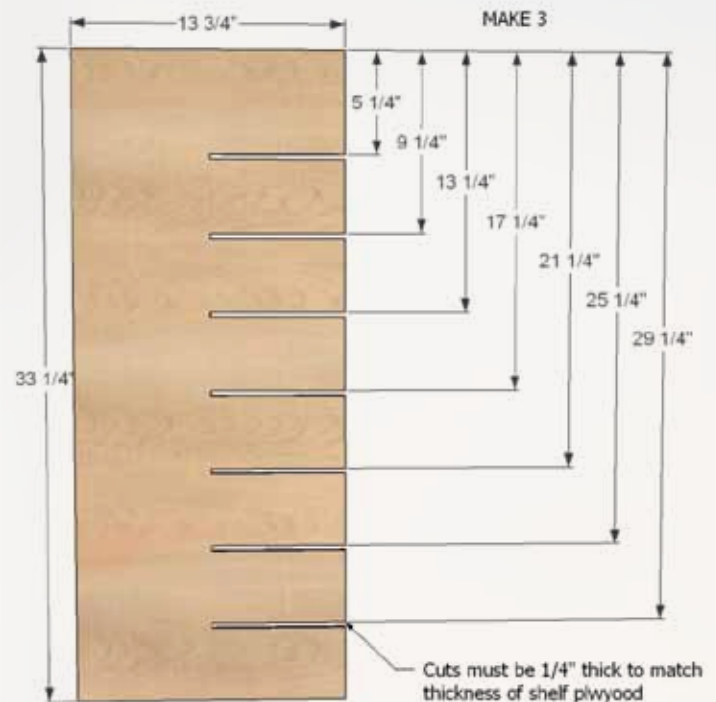
Next, build your top as you did the shelf. Then attach through predrilled pocket holes in sides with 1 1/4" pocket hole screws and glue.



Step #6



I really liked what Gina did here.





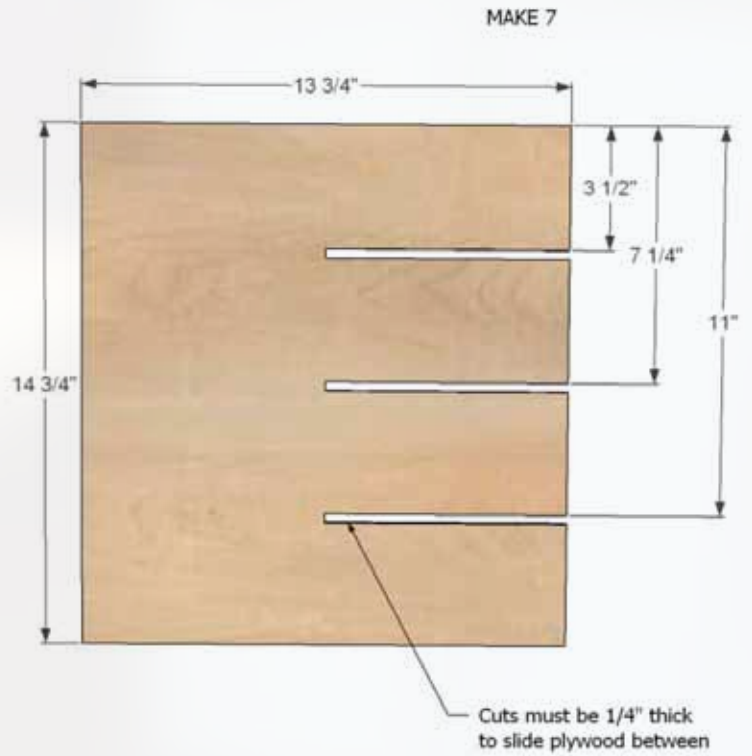
Modular Bar
Wine Grid Hutch
Free Plans to build wine grid hutch

PureBond.
FORMALDEHYDE-FREE TECHNOLOGY

Step #7



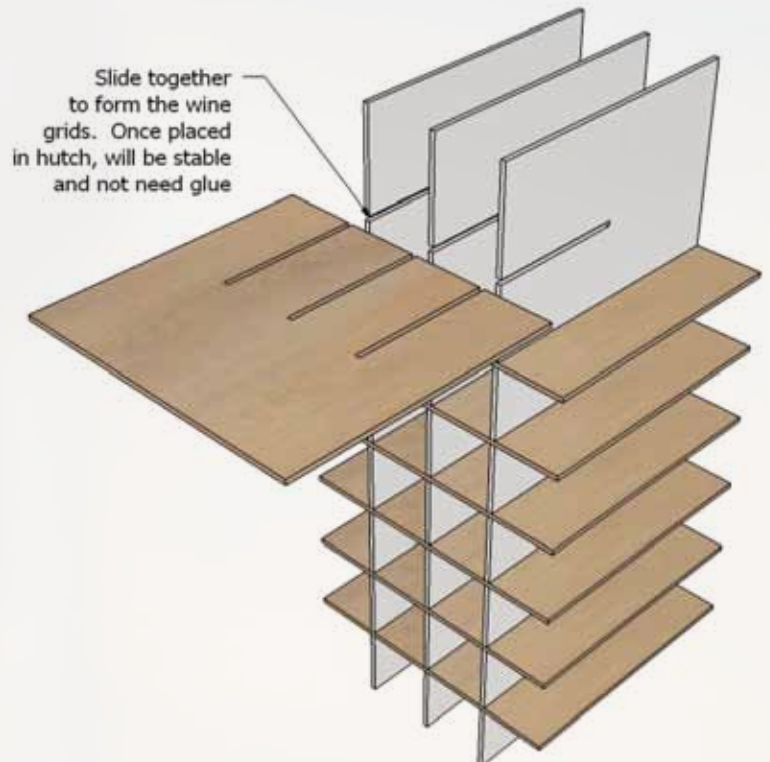
Make seven short dividers.



Step #8



Slide together to form your wine grids.





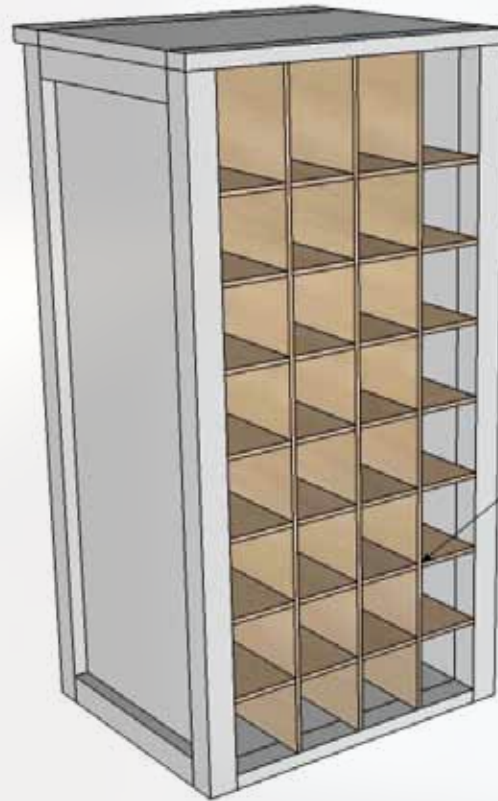
Modular Bar
Wine Grid Hutch
Free Plans to build wine grid hutch

PureBond[®]
FORMALDEHYDE-FREE TECHNOLOGY

Step #9



Then insert in hutch. To make it easy to remove later on, make the small shelf pieces removeable from the front. Then you can pull the shelves out, collapse the tall dividers and pull out through the front.

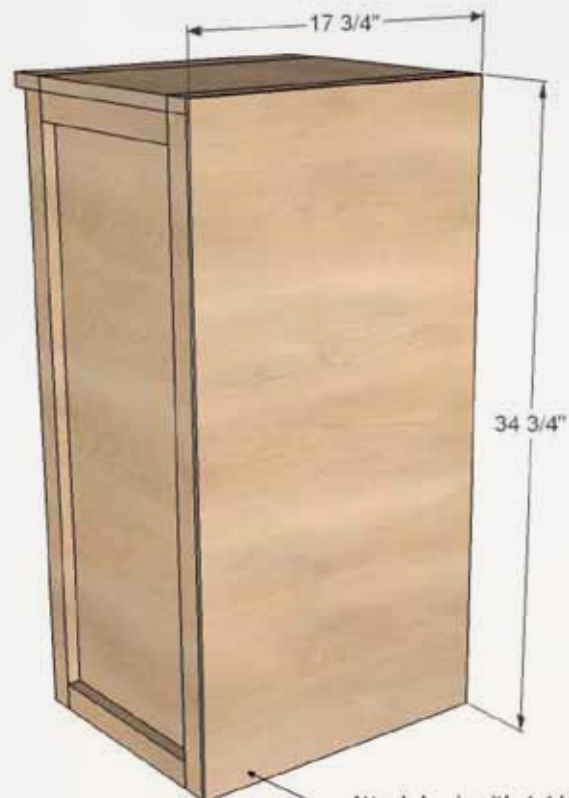


Slide wine grid in from back. Place the wine grid in so the shelves are removeable from the front so you could remove the wine grid if you wanted to switch the project up with shelves

Step #10



Then finally, nail the back on with glue. You must secure the hutch to the base to avoid tipping hazards and also a stud in the wall behind the hutch.



Attach back with 1 1/4" finish nails and wood glue



Modular Bar
Wine Grid Hutch
Free Plans to build wine grid hutch

PureBond.
FORMALDEHYDE-FREE TECHNOLOGY

Preparation Instructions:

Fill all holes with wood filler and let dry. Apply additional coats of wood filler as needed. When wood filler is completely dry, sand the project in the direction of the wood grain with 120 grit sandpaper. Vacuum sanded project to remove sanding residue. Remove all sanding residue on work surfaces as well. Wipe project clean with damp cloth. It is always recommended to apply a test coat on a hidden area or scrap piece to ensure color evenness and adhesion. Use primer or wood conditioner as needed.



FEATURING

PureBond.

FORMALDEHYDE-FREE TECHNOLOGY

www.purebondplywood.com