

# Wall Pocket

Free Plans to build a simple Wall Pocket

**PureBond.**  
FORMALDEHYDE-FREE TECHNOLOGY

## Materials and Tools:

### Materials:

- Wood glue
- 1-1/4" brad nails
- Pencil & square
- Decorative plates for the front

### Lumber:

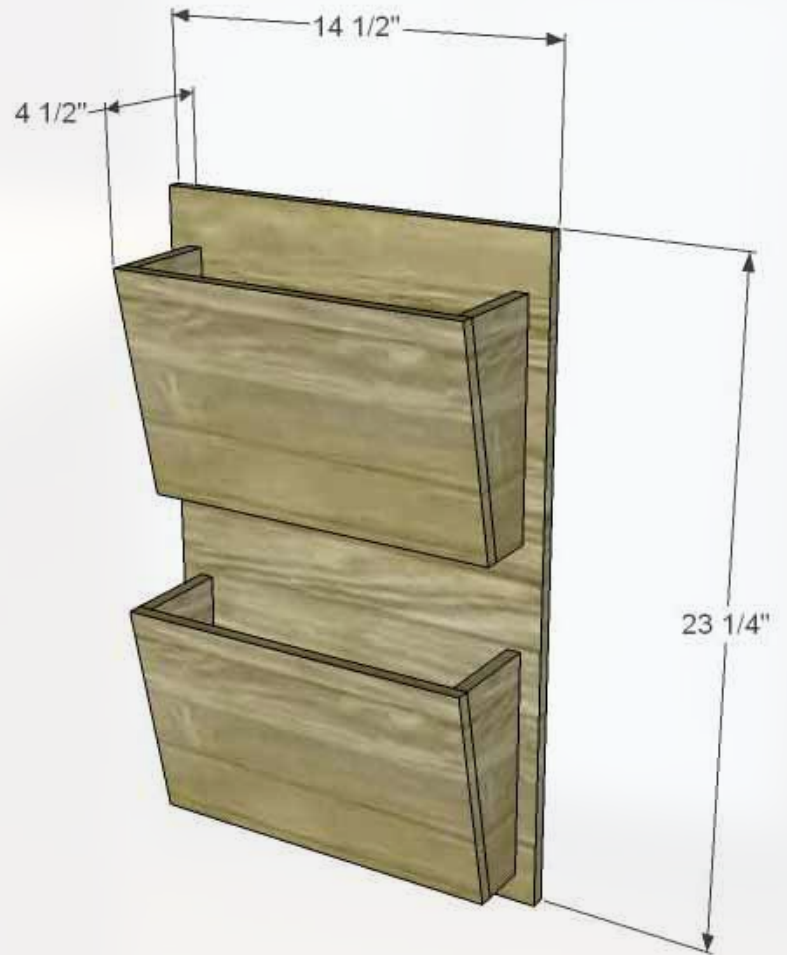
- Quarter sheet of 1/2" plywood  
(I used PureBond plywood)

### Tools:

- Brad nailer
- Saw - Miter, Circular, or Jig

### Cut List:

- 1 - 1/2" plywood at 14-1/2" x 23-1/4" - Base
- 4 - 1/2" plywood at 3-1/2" x 8-1/4" - Sides
- 2 - 1/2" plywood at 1-3/4" x 12" - Bottoms
- 2 - 1/2" plywood at 8-1/2" x 13" - Fronts



## Step #1

Cut the piece for the base.





# Wall Pocket

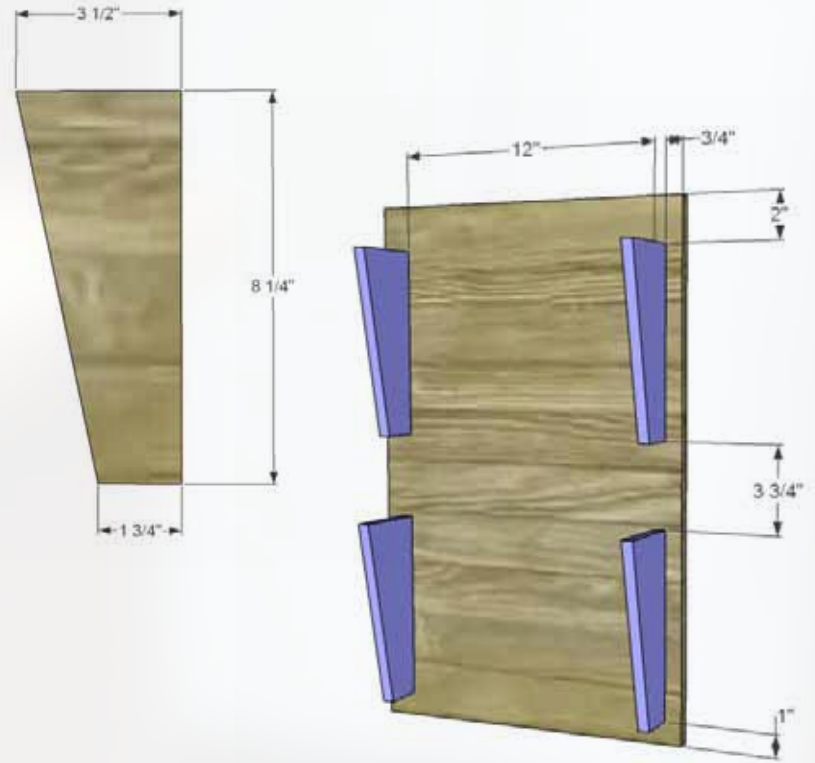
Free Plans to build a simple Wall Pocket

**PureBond.**  
FORMALDEHYDE-FREE TECHNOLOGY

## Step #2



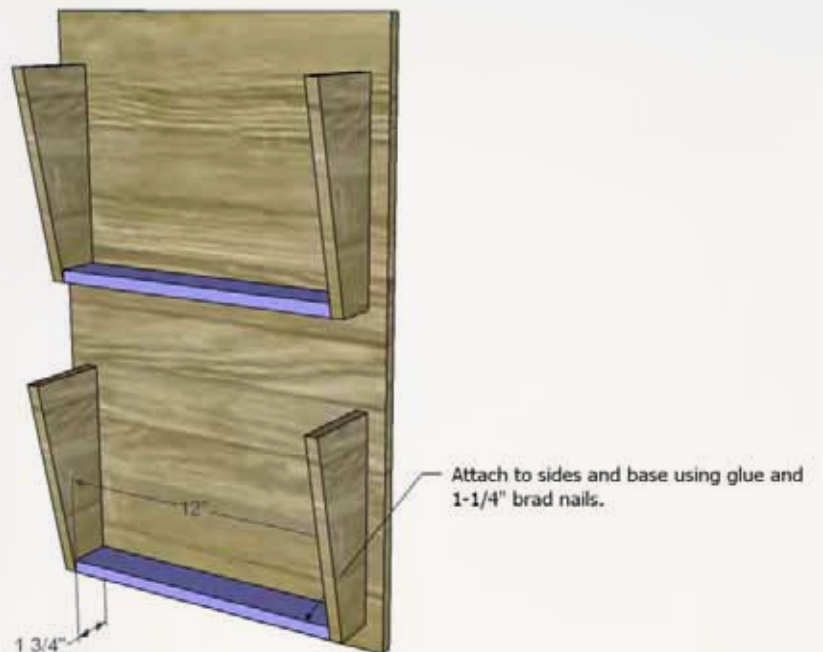
Cut the pieces for the sides and cut the angles as shown. Draw lines on the base for placement of the sides. Use glue and 1-1/4" brad nails through the back side of the base to secure.



## Step #3



Cut the pieces for the bottoms. Secure to the base and sides using glue and 1-1/4" brad nails.





# Wall Pocket

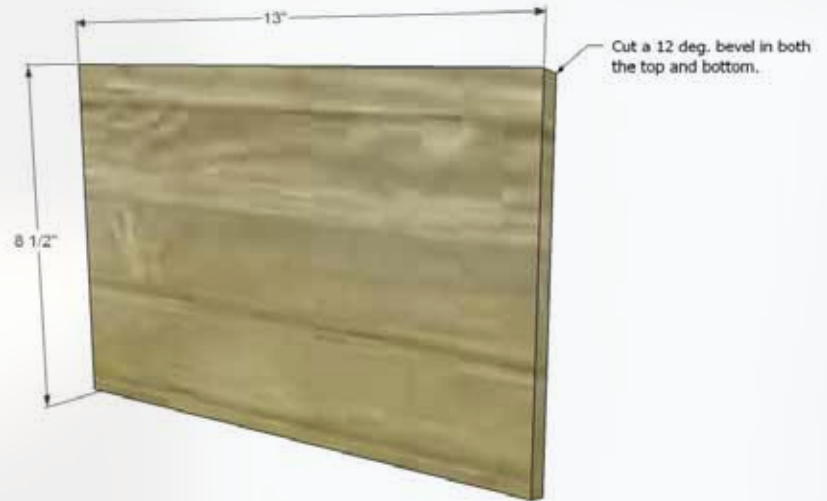
Free Plans to build a simple Wall Pocket

**PureBond.**  
FORMALDEHYDE-FREE TECHNOLOGY

## Step #4



Cut the pieces for the fronts. Cut a 12 degree bevel in each of the longer sides of the fronts as shown. Do not attach to the pocket sides and bottoms yet!

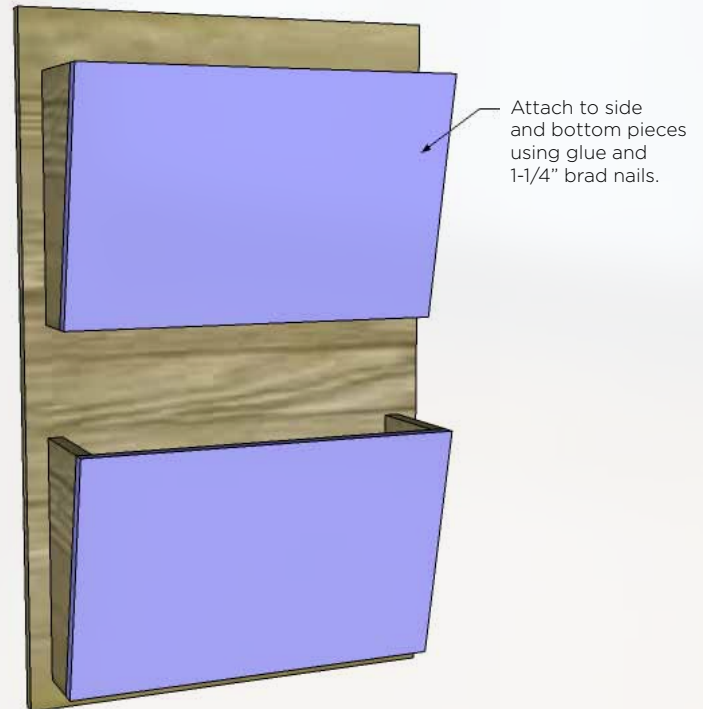


## Step #5



Thoroughly sand the entire assembly, as well as the front pieces. I found it was much easier to prime and paint or stain the wall pockets before the front pieces were attached.

Once the paint or stain is dry, attach the front pieces with glue and 1-1/4" brad nails, then hang on the wall with a couple of screws through the base into a wall stud.



FEATURING

**PureBond.**

FORMALDEHYDE-FREE TECHNOLOGY

[www.purebondplywood.com](http://www.purebondplywood.com)