



# Dresser

Free Plans to build a Dresser

**PureBond**<sup>®</sup>  
FORMALDEHYDE-FREE TECHNOLOGY

## Materials and Tools:

### Materials:

- 1-1/4" pocket hole screws
- 1-1/4" brad nails
- 3 sets of 18" drawer slides
- Drawer pulls
- Edge banding, optional
- Wood glue
- Sandpaper (100, 150, 220 grits)
- Finishing supplies (primer & paint, or stain, sealer)

### Tools:

- Jigsaw, table saw, miter saw, or hand saw
- Pocket hole jig
- Brad nailer
- Drill
- Pencil, ruler, square
- Tape measure
- Sander
- Iron for edge banding
- Edge banding trimmer or craft knife

### Lumber:

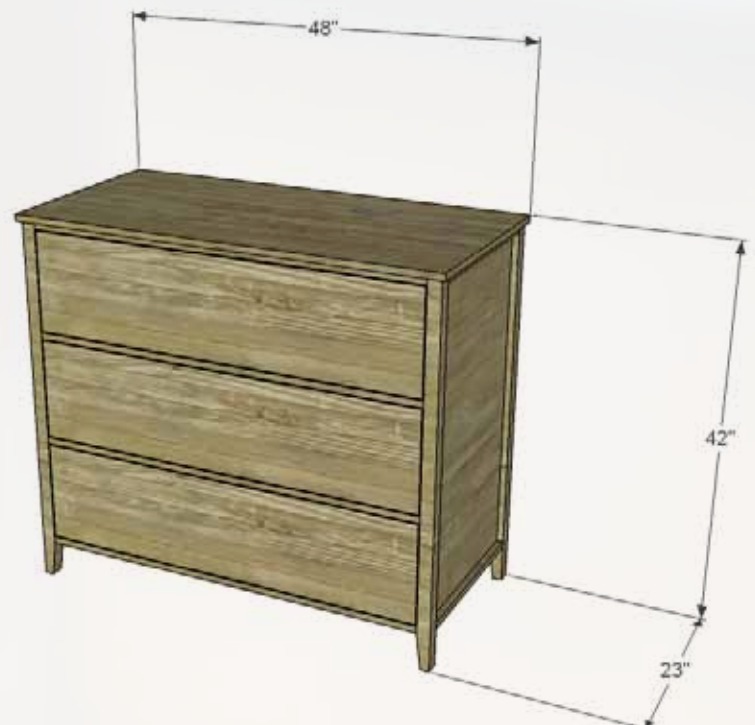
- 4 - 4' x 4' x 3/4" PureBond plywood project panels (White Oak was used for the example)
- 1 - 4' x 4' x 1/4" PureBond plywood project panels (to cover the back)

### Cut List:

- 8 - 3/4" PureBond Plywood project panel at 1-1/2" x 41-1/4" - Legs
- 4 - 3/4" PureBond Plywood project panel at 1-1/2" x 20" - Side Frames
- 2 - 3/4" PureBond Plywood project panel at 20" x 35-5/8" - Side Panels
- 8 - 3/4" PureBond Plywood project panel at 1-1/2" x 44" - Stretchers
- 3 - 3/4" PureBond Plywood project panel at 1-1/2" x 20" - Stretcher Supports
- 1 - 1/4" PureBond Plywood project panel at 36-3/4" x 45-1/2" - Back
- 1 - 3/4" PureBond Plywood project panel at 23-3/4" x 48" - Top
- 3 - 3/4" PureBond Plywood project panel at 16-1/2" x 41-1/2" - Drawer Box Bottoms
- 6 - 3/4" PureBond Plywood project panel at 10" x 16-1/2" - Drawer Box Sides
- 6 - 3/4" PureBond Plywood project panel at 10" x 43" - Drawer Box Front & Back
- 3 - 3/4" PureBond Plywood project panel at 11-1/8" x 43-3/4" - Drawer Fronts

### Notes:

Edge banding will be applied to the exposed edges of the plywood prior to assembly.





# Dresser

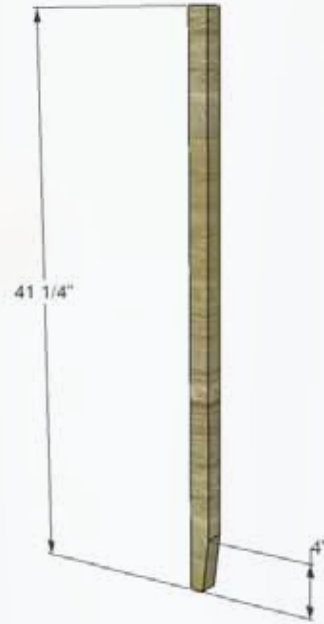
Free Plans to build a Dresser

**PureBond.**  
FORMALDEHYDE-FREE TECHNOLOGY

## Step #1



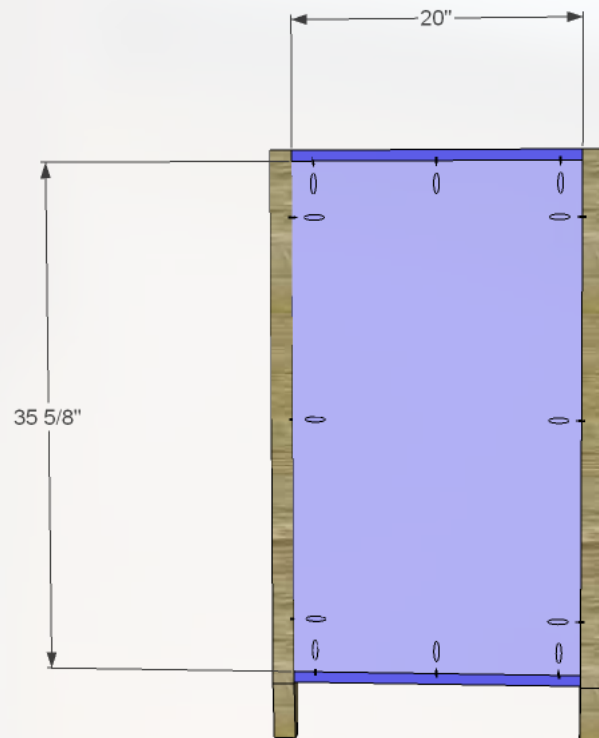
Cut the pieces for the legs. There will be eight pieces cut, and they will be laminated together in pairs to form the leg. Spread glue on the face of one piece then layer the next piece on top. Wiggle it a little to create suction then secure together with 1-1/4" brad nails. When dry, apply edge banding to the exposed edges of the legs then trim the excess banding away.



## Step #2



Cut the pieces for the side frames and the panels. With the pocket hole jig set for 3/4" material, drill pocket holes in each end of the frame pieces as well as all four edges of the side panels. If using edge banding, apply it to one edge of each frame piece. This edge will face to the outside. Attach the frame pieces to the panels with the pocket holes facing away from the panels using glue and 1-1/4" pocket hole screws. The back face of the panel will be flush with the back edge of the frame pieces. Attach the panel assemblies to the legs using glue and 1-1/4" pocket hole screws through the frame pieces.





# Dresser

Free Plans to build a Dresser

**PureBond.**  
FORMALDEHYDE-FREE TECHNOLOGY

## Step #3



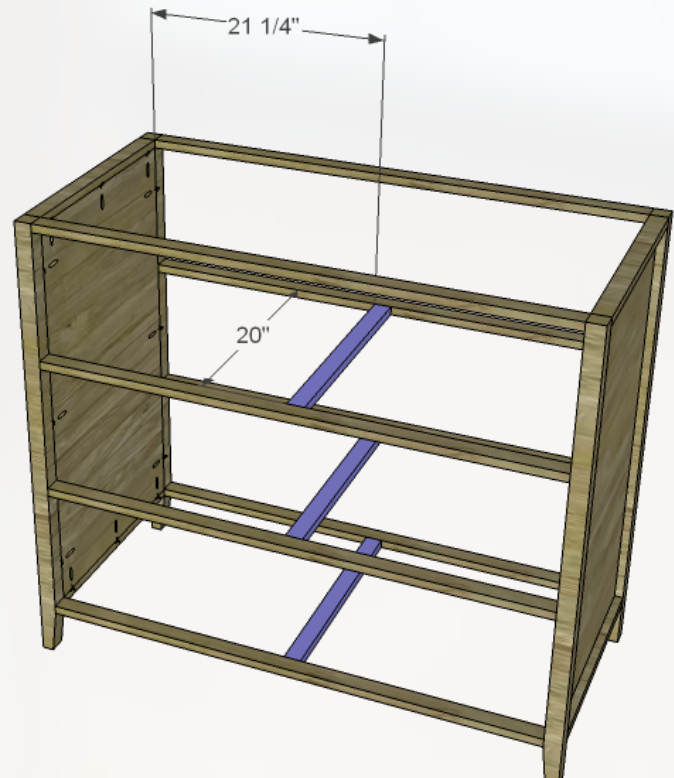
Cut the pieces for the stretchers. Edge banding will be applied to one edge each of four of the pieces. These pieces will be positioned at the front. Drill pocket holes in each end of each piece. Position on the legs as shown, then secure using glue and 1-1/4" pocket hole screws.



## Step #4



Cut the pieces for the stretcher supports. These pieces will not have edge banding applied to them but will have pocket holes drilled in each end. Secure to the front and back stretchers as shown using glue and 1-1/4" pocket hole screws.





# Dresser

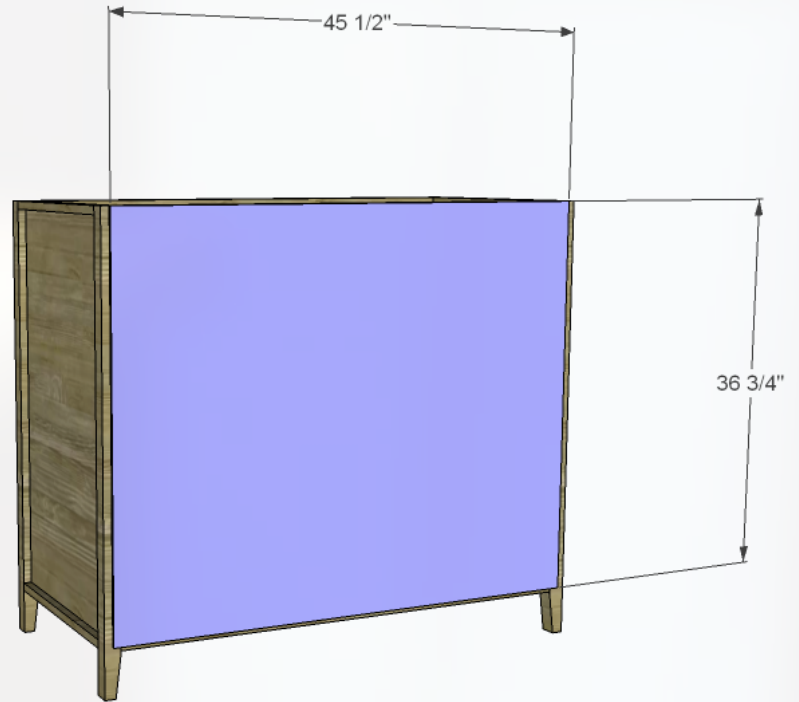
Free Plans to build a Dresser

**PureBond.**  
FORMALDEHYDE-FREE TECHNOLOGY

## Step #5



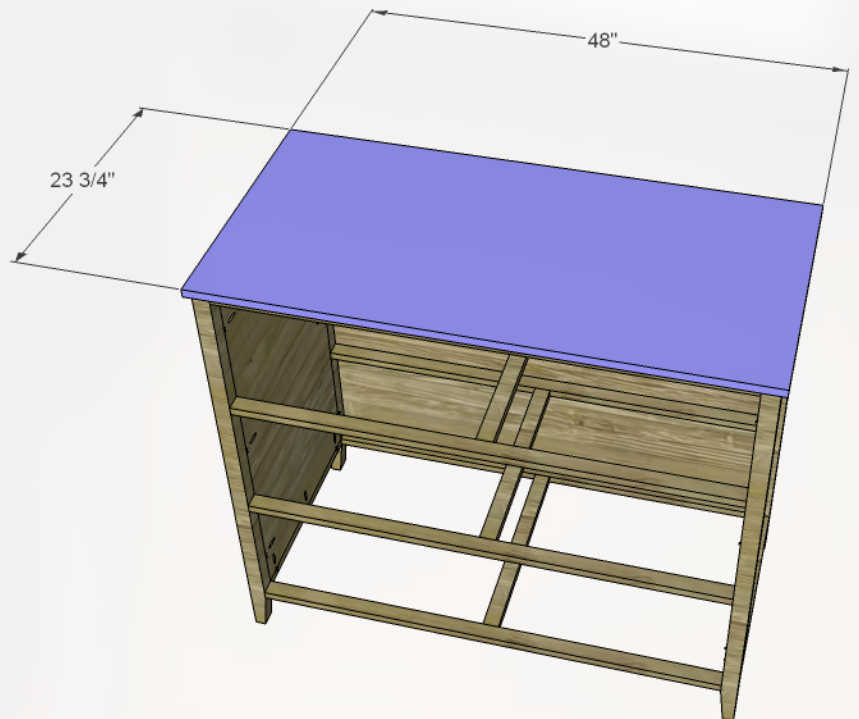
Cut the piece for the back. Position on the back then secure in place using glue and 1-1/4" brad nails.



## Step #6



Cut the piece for the top and apply edge banding to all four edges. Spread glue on the top of the side frames and stretchers then position the top so that 1/2" overhangs at the front and sides. Secure in place using glue and 1-1/4" brad nails.







# Dresser

Free Plans to build a Dresser

**PureBond.**  
FORMALDEHYDE-FREE TECHNOLOGY

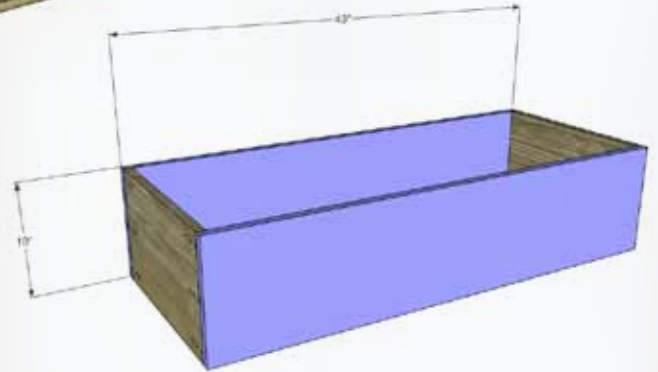
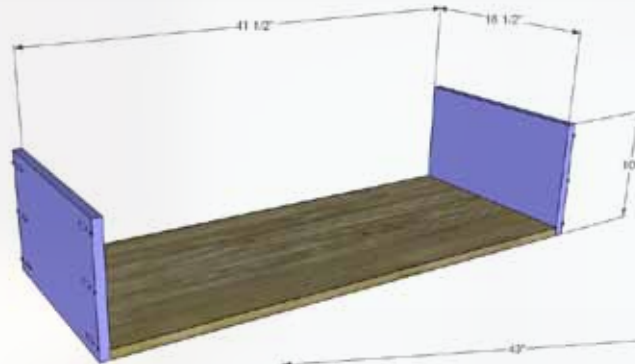
## Step #7



Cut the pieces for the drawer boxes. Drill pocket holes in each end of the side pieces as well as all four edges of the bottom. Secure the sides to the bottom using glue and 1-1/4" pocket hole screws.

Secure the front and back pieces to the sides and bottom using glue and 1-1/4" pocket hole screws.

Install the drawer slides according to the manufacturer's installation instructions locating them 3/4" back from the front edge to accommodate the inset drawer fronts.

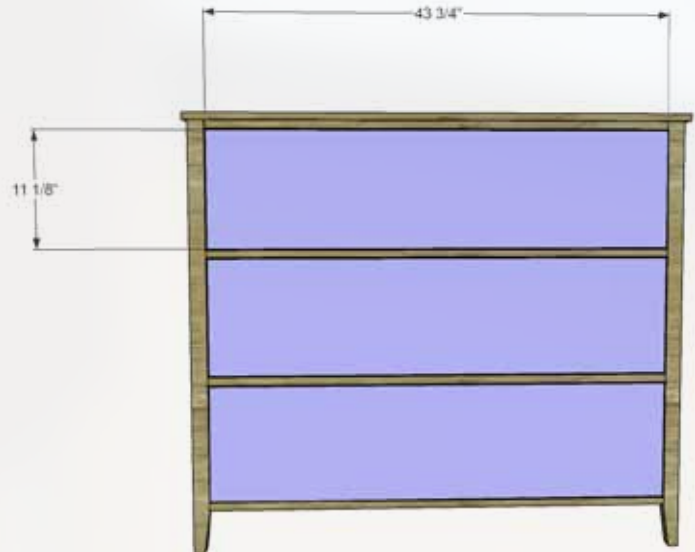


## Step #8



Cut the pieces for the drawer fronts. Mark the position for the cabinet pulls then drill the holes for them. There will be a 1/8" gap around all sides of the drawer fronts in the openings. Shim the drawer front in place, then drive a screw in each hole for the cabinet pull into the drawer box. Open the drawer, then secure the front to the drawer box using 1-1/4" screws from the inside. Remove the screws from the holes drilled for the cabinet pulls, then finish drilling the holes. Install the cabinet pulls.

Finish as desired.



FEATURING

**PureBond.**

FORMALDEHYDE-FREE TECHNOLOGY

[www.purebondplywood.com](http://www.purebondplywood.com)